

2G, 3G, 4G & WiFi Add SMS text, email, chat and HTTP alerts to your remote machine or plant



Overview

Avior is a compact industrial alerting unit for alerting, monitoring and control through WiFi and mobile networks.

Avior can be simply configured to send custom alert messages when inputs trigger, analogue values change, timers have elapsed or at scheduled times.

Avior will allow you to remotely monitor you machines, plants and processes and react quickly to assist.

- **10 Input Channels (6 Digital + 4 Analog or Digital) | 4 relay outputs**
- **Remote & local control | Programmable by means of simple behavioural rules**
- **Alerts to multiple recipients on local events (SMS, Call, Email, Chat, HTTP...)**

Features

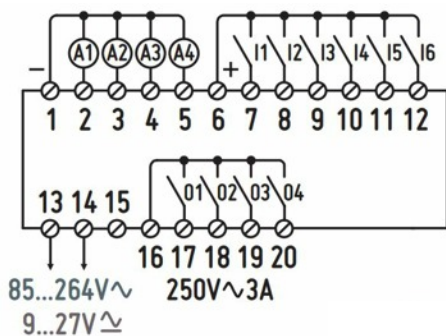
- 4G and WiFi communications
- 6 digital inputs including pulse and time counter features.
- 4 configurable analog inputs or use as extra digital.
- Rule based alerts and actions.
- Multiple message recipients
- Send a mix of SMS, Email, Chat alerts messages
- 4 dry contact relay outputs for remote control
- Modbus TCP & Wiegand interface.
- Local and remote expandability.
- Backup battery with monitoring and working time counter. Power Fail alerts
- Optional SD card interface up to 32 GB.
- Optional SD card based local WebServer
- Upgrade over the air (command)



Specification

Communications options	WiFi, 2G & 4G
Power Supply Voltage	9-35 VDC or 7-27VAC
Inputs channels	6 x digital, 4 x analog/digital,
Input configuration	Digital N/C or N/O (send message on both)
	Analog 0-10, 0-20mA, NTC (selectable)
	Counter - pulse or time
Input events (alerts)	SMS & Email, Chat, Call plus HTTP Posts
Output channels	4 Relay
Output events (trigger)	Caller ID call, custom SMS, Email, Chat, HTTP Post and schedule
	Relays 3A@240VAC x4
Output Type	71 x 90 x 58 mm
Dimensions	-20...+60°C
Operating Temperature	PC Software or Web based (local and remote)
Configuration	Various options
Antenna	

Wiring



Monitor and Configure your "Pool" of distributed Aviors online



Ordering

Type	Description	Part Number
Avior WiFi	Avior IoT unit 6 digital, 4 analog/digital and 4 relay outputs. WiFi only	SMC-AVIOR-WDCB
Avior WiFi + 4G GSM	Avior IoT unit 6 digital, 4 analog/digital and 4 relay outputs. WiFi & 4G GSM	SMC-AVIOR-W4GDCEB
Avior prog cable	Avior to PC serial to USB programming cable for local configuration	SAC-AVIOR-USB
Avior SD Card	1GB microSD card with local Avior local web server application installed	SAC-AVIOR-SDCARD
UK Power Supply	UK Plug-in 230vAC to 12vDC power supply	PS001
Patch Antenna	Self adhesive patch antenna with 2m cable (SMA connector)	SA011S
Temp probe	NTC temperature probe with 50cm cable	SAC-TEMPPB

Please Contact Us

For a Price list



This is one of a number of mobile monitoring and control products we supply and support. If you have any questions or wish to discuss your application please contact us on the number below.